

INSTALLATION INSTRUCTIONS

SEPARATION FRAME DP-RxF-CW-48/60/5 DP-RxF-CW-48/80/5

980 154 rev. A

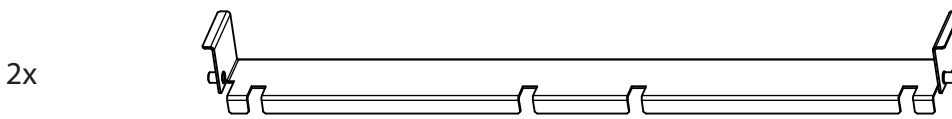
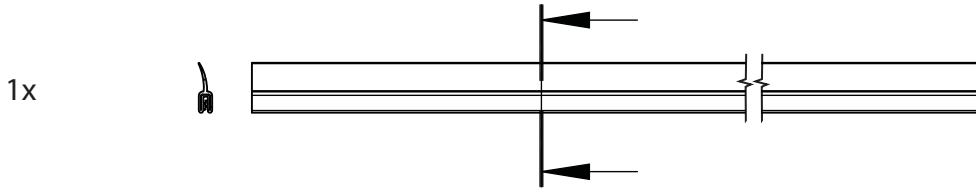


980 154 rev.A

www.conteg.com
...to complete your network

1. Package includes:

1.1 Parts of separation frame



1.2 Hardware kit (included)



1.3. Compatibility list

PN	rack	height	width
DP-RxF-CW-48/60/5	RSF/RHF/ROF	42/45/48U	600 mm
DP-RxF-CW-48/80/5	RSF/RDF/RHF/ROF	42/45/48U	800 mm

1.3 Requested tools (not included)



Hex key size 3



Spanner size 8



Scissors

1.4 Legend



WORKING AREA

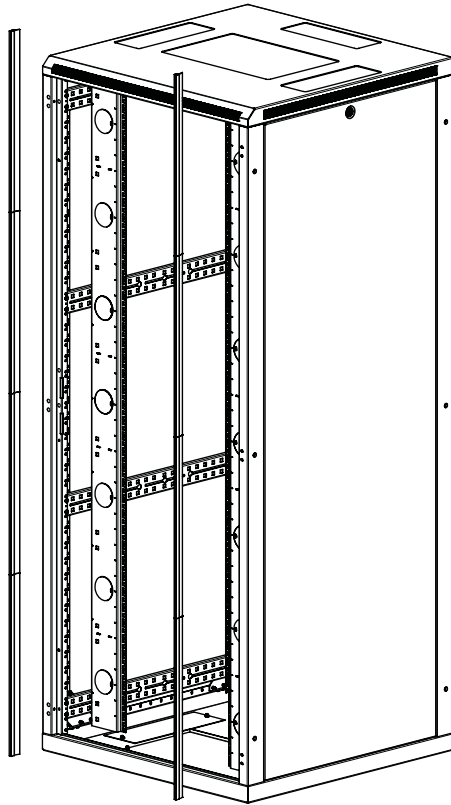


HAND MANIPULATION

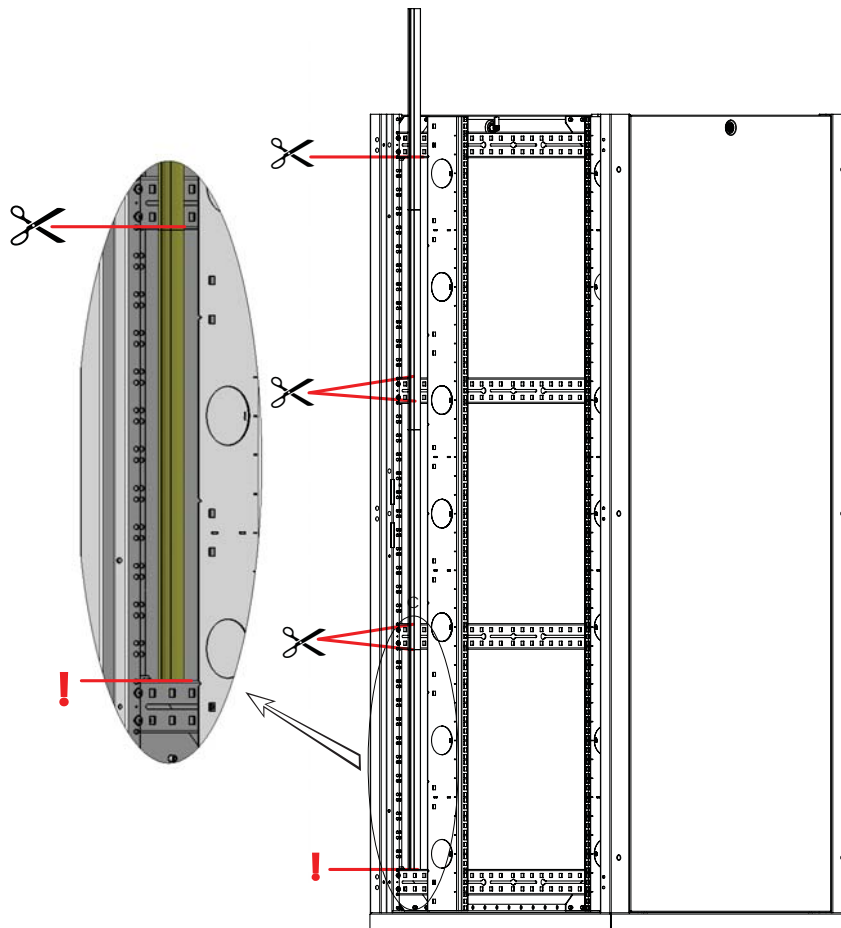


2. Assembly

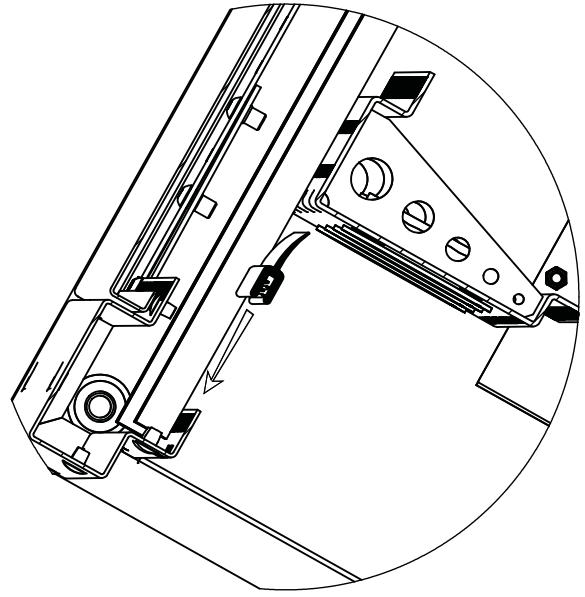
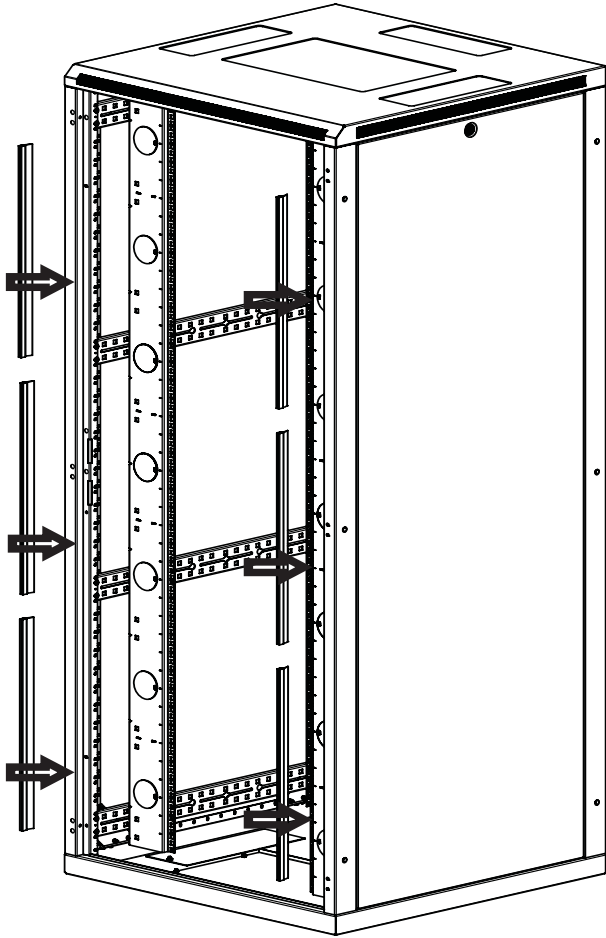
2.1.



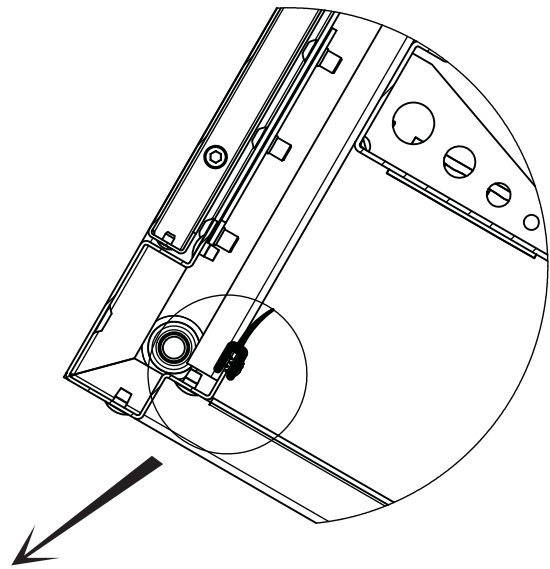
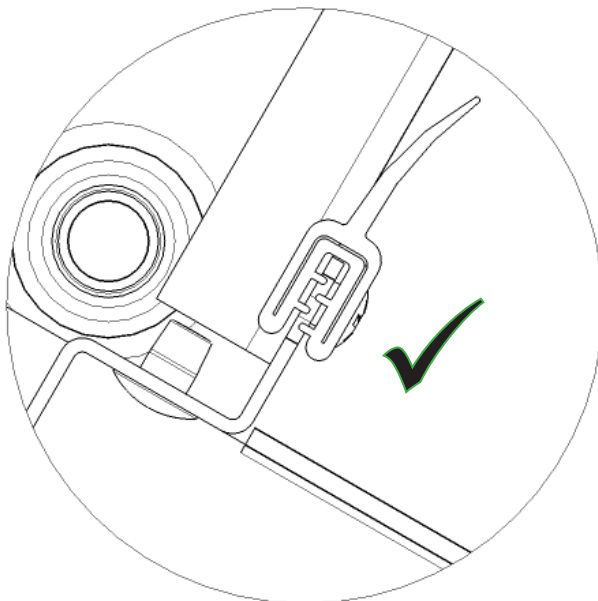
2.2.

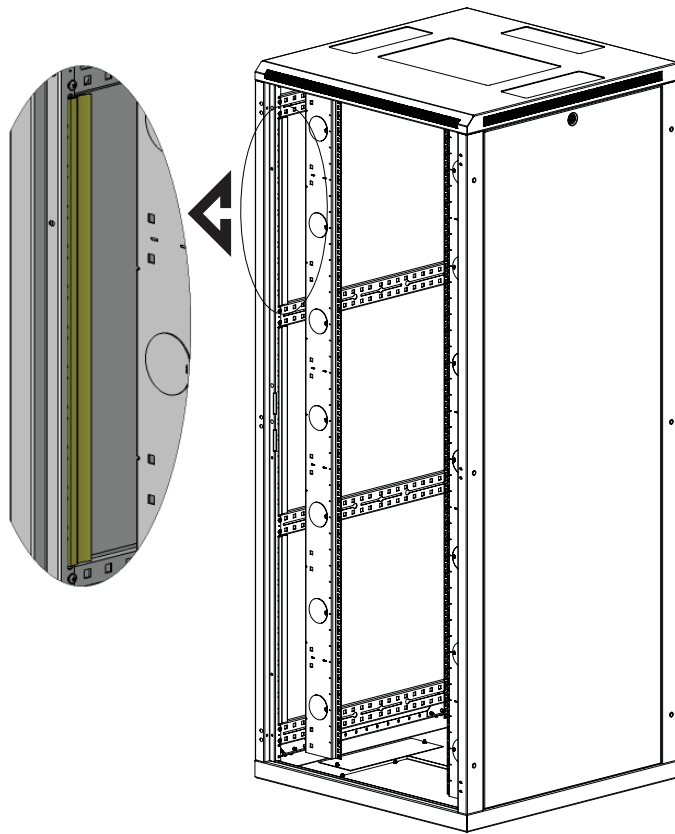


2.3.

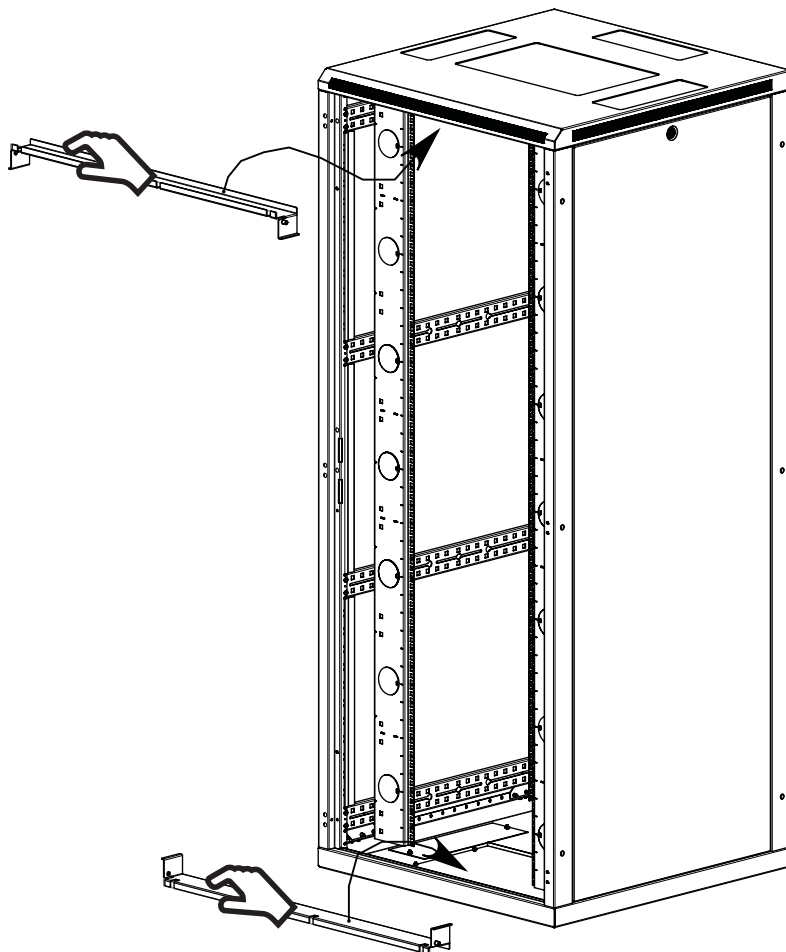


2.4.

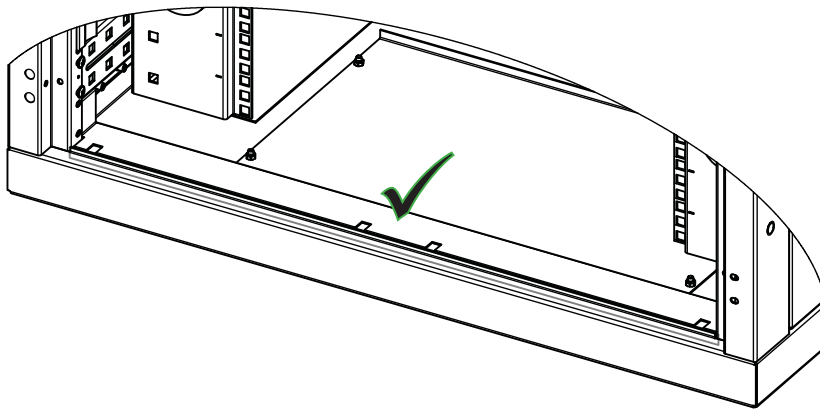
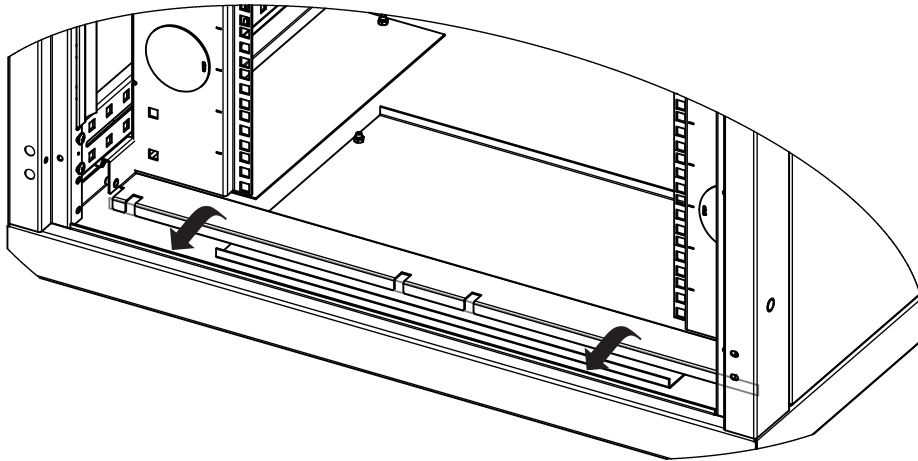




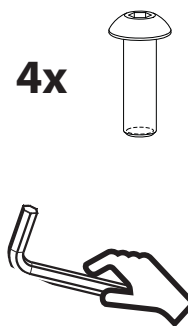
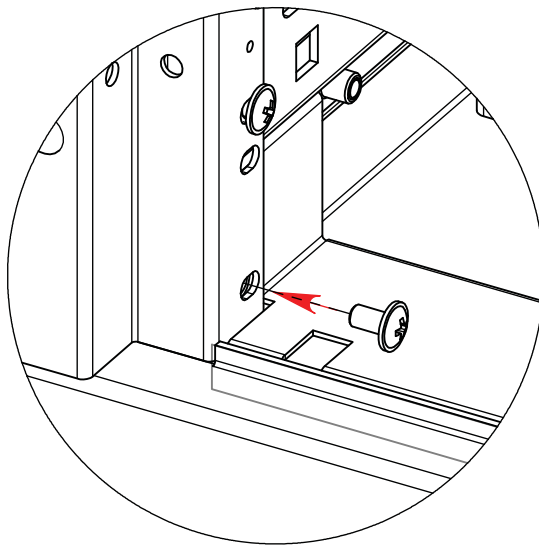
2.5.



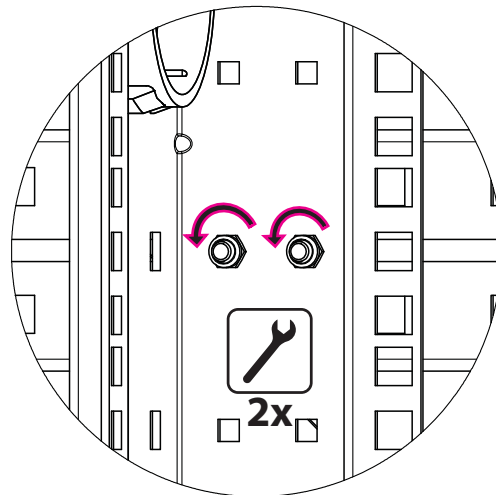
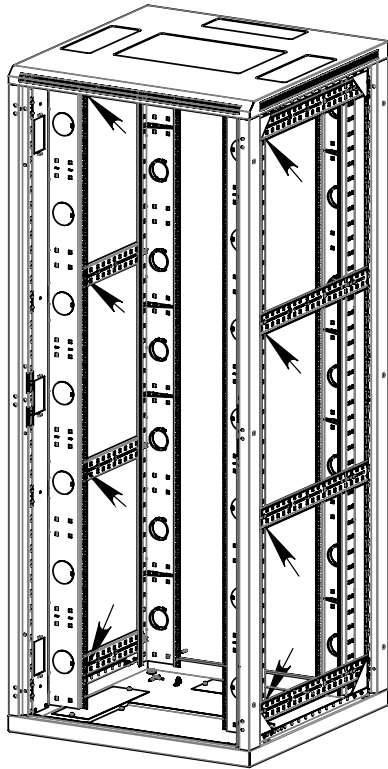
2.6.



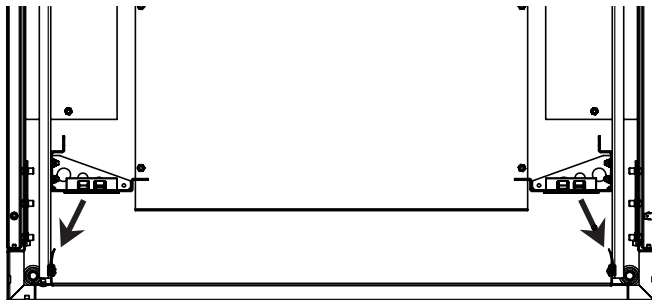
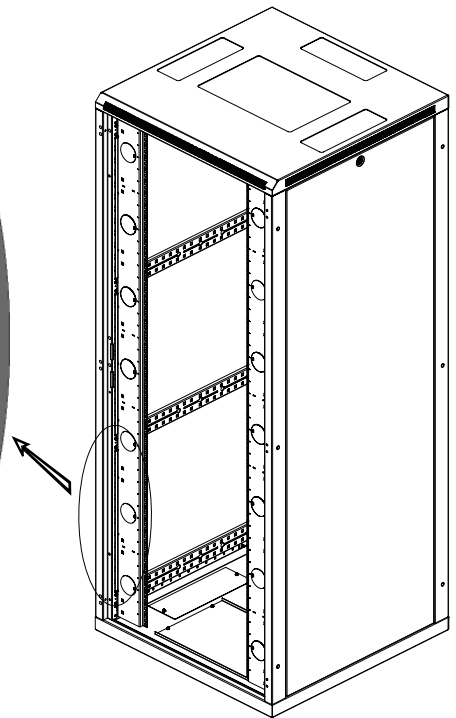
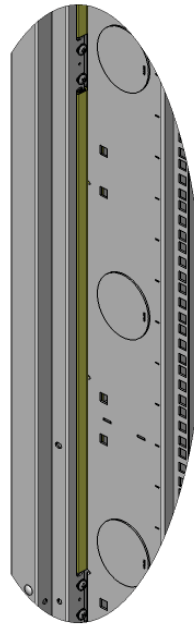
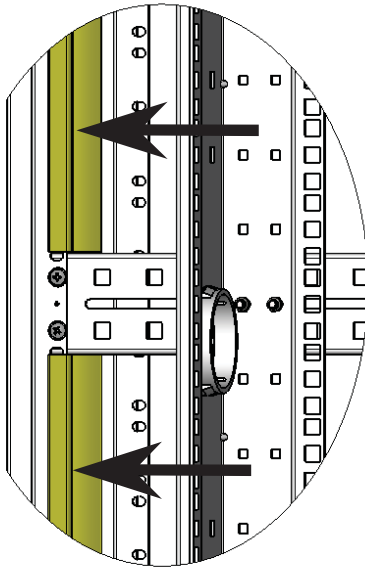
2.7.



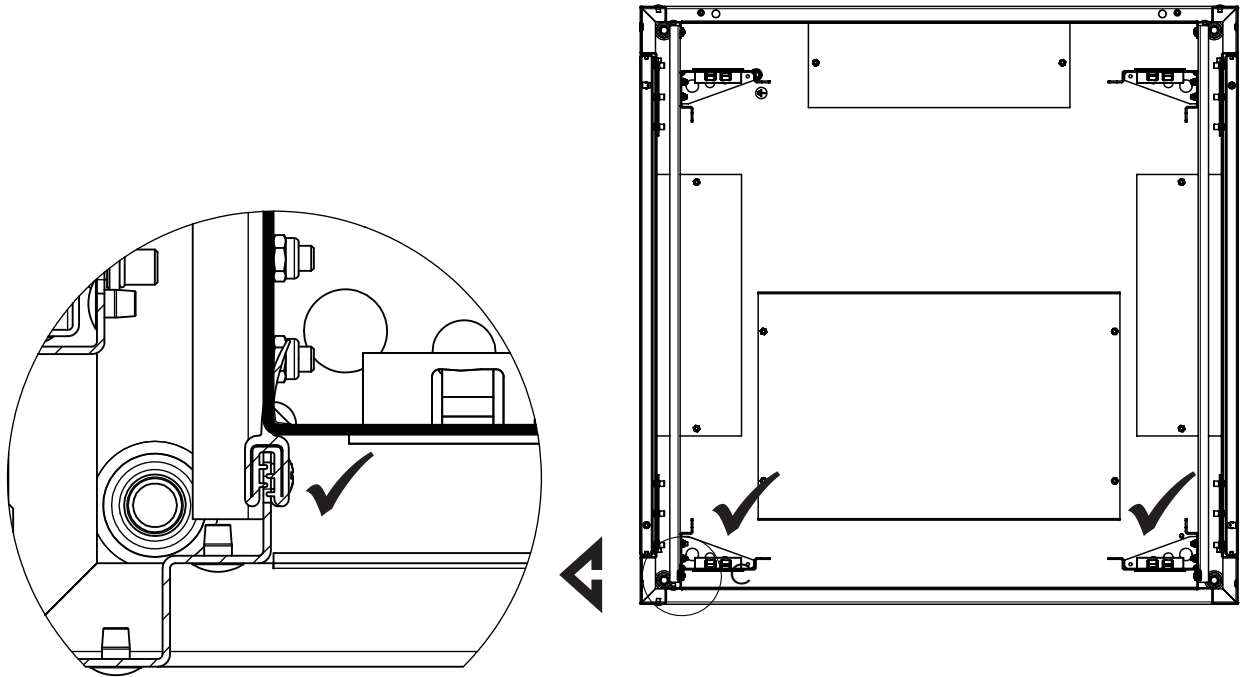
2.8.



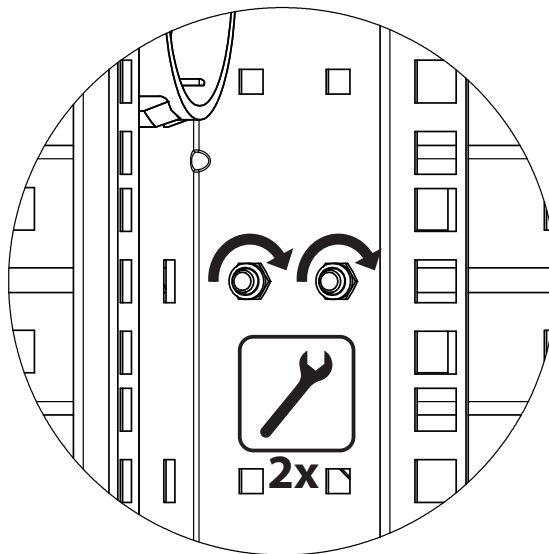
2.9.



2.10.



2.11.



CONTEG, spol. s r.o.

Headquarters Czech Republic:
Na Vítězné pláni 1719/4
140 00 Prague 4

Tel.: +420 261 219 182
Fax: +420 261 219 192

conteg@conteg.com
www.conteg.com

Local Offices:

Austria:	+43 699 1819 7071
Benelux:	+32 477 957 126
Eastern Europe / Nordics:	+49 172 8484 346
France, Maghreb:	+33 686 074 386
Germany / Switzerland / Baltics / Denmark / Italy:	+49 170 523 4958
Middle East:	+971 555 08 32 41
Russia, CIS:	+7 495 967 3840

