

INSTALLATION INSTRUCTIONS

CONNECTING KIT DP-DR-UNI

980 155 rev.A

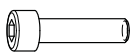
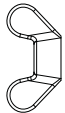
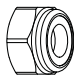



980 155 rev.A

www.conteg.com
...to complete your network


1. Package includes:

1.1 Hardware kit (included)

CONNECTING MATERIAL ELEMENTS		
M5x20		6
M5		6
M5 NUT		6
5,3		12

1.2 Requested tools (not included)



 Hex key size 3



Spanner size 8

1.3. Legend



WORKING AREA

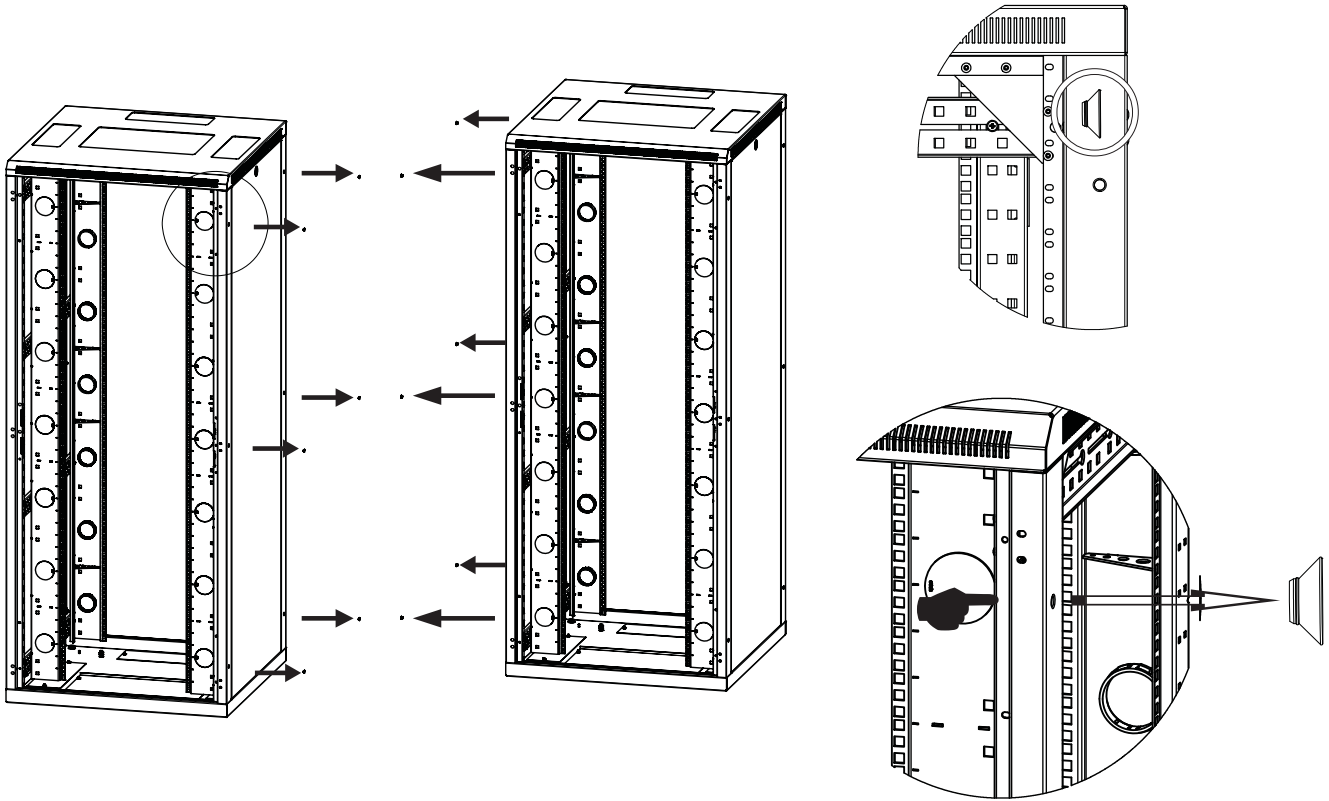


HAND MANIPULATION

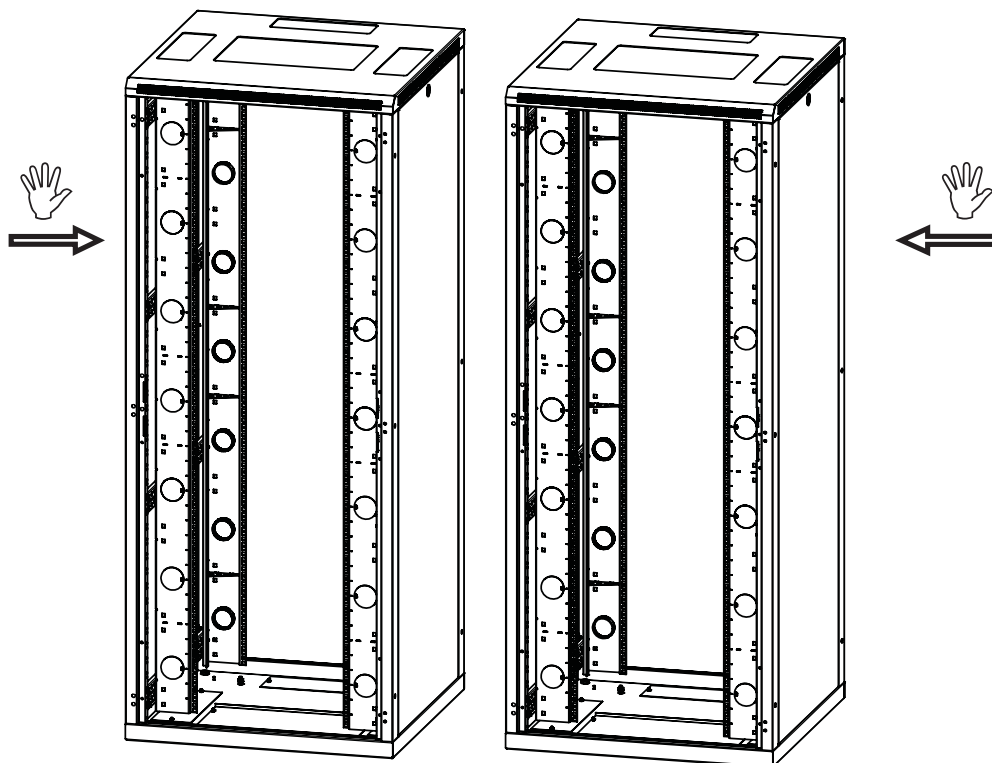


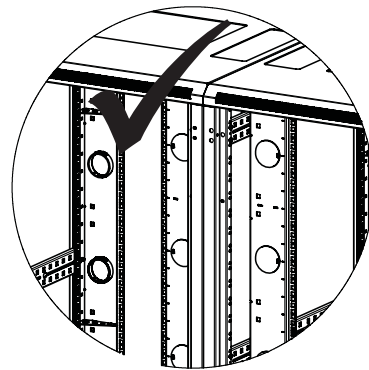
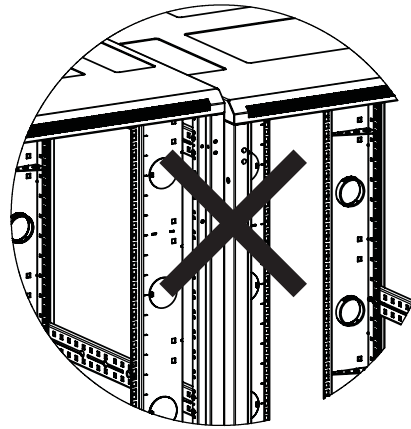
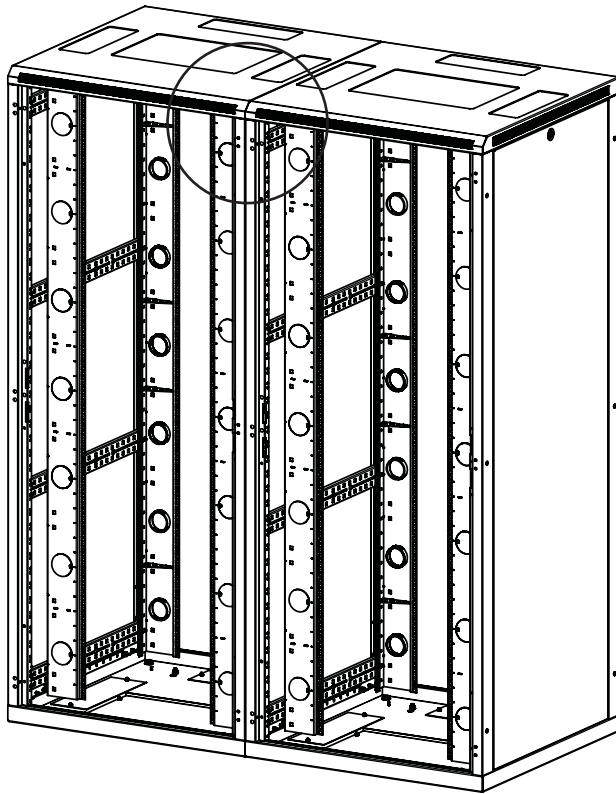
2. Assembly

2.1.

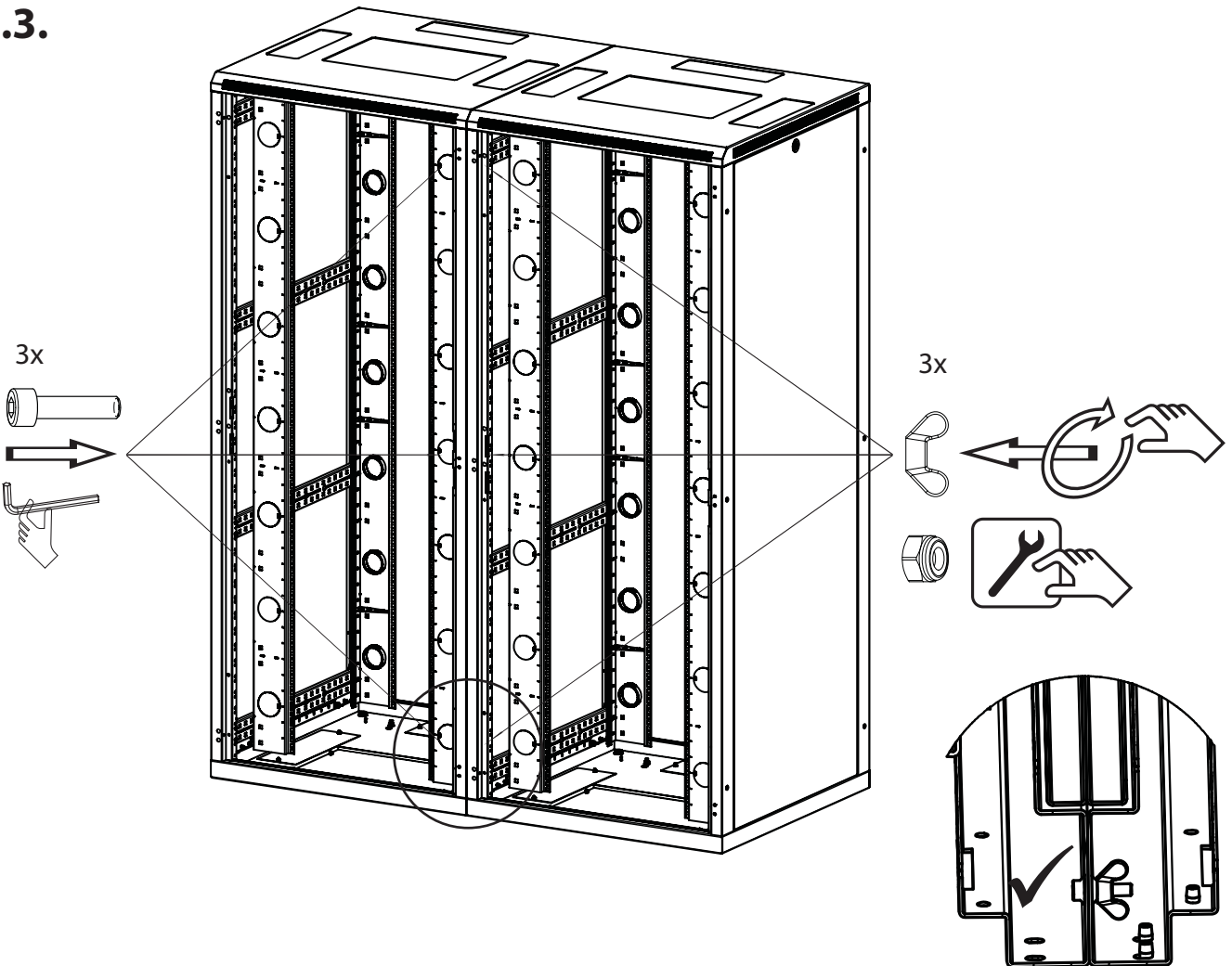


2.2.

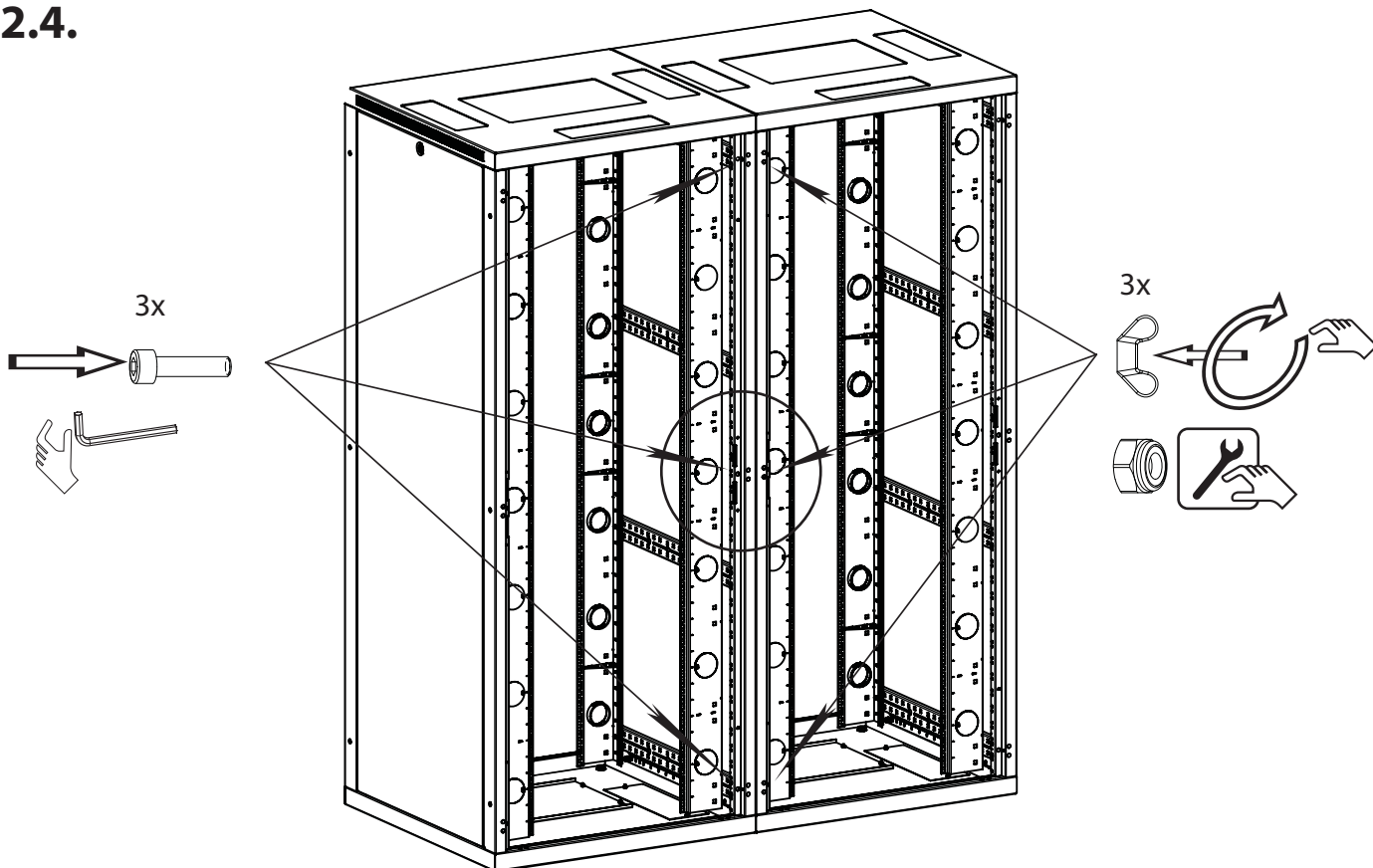




2.3.



2.4.



CONTEG, spol. s r.o.

Headquarters Czech Republic:

Na Vítězné pláni 1719/4
140 00 Prague 4

Tel.: +420 261 219 182
Fax: +420 261 219 192

conteg@conteg.com
www.conteg.com

Local Offices:

Austria:	+43 699 1819 7071
Benelux:	+32 477 957 126
Eastern Europe / Nordics:	+49 172 8484 346
France, Maghreb:	+33 686 074 386
Germany / Switzerland / Baltics / Denmark / Italy:	+49 170 523 4958
Middle East:	+971 555 08 32 41
Russia, CIS:	+7 495 967 3840

