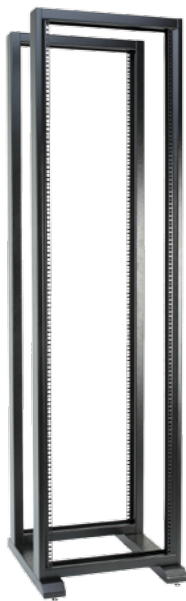


# OPEN FRAMES RS



RS-P + RS-42



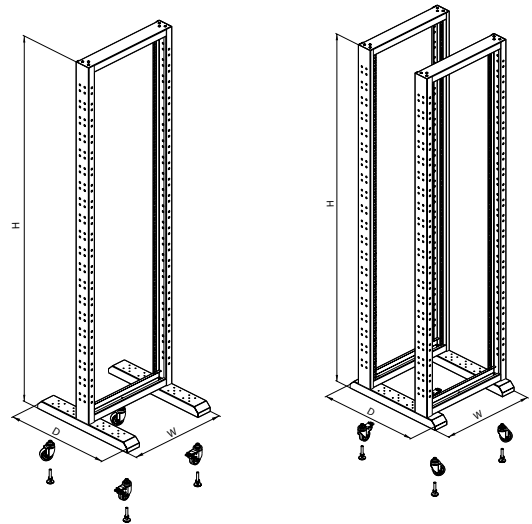
RS-P + 2x RS-42


➤ The RS frame series is used in closed rooms with controlled access, within a suitable operating environment for installed components, or wherever racks cannot be used.

## MAIN ADVANTAGES

- Light frame
- Single or double version

Configuration order quantities						
H (in U)	Code	19" two post frames	19" four post frames	Dimensions (mm)		
				W	D	H
27U	RS-27	1	2	559	600	1339
	RS-P	1	1			
36U	RS-36	1	2	559	600	1739
	RS-P	1	1			
42U	RS-42	1	2	559	600	2005
	RS-P	1	1			
45U	RS-45	1	2	559	600	2139
	RS-P	1	1			



COLOR SAMPLER:  RAL 9005

## DESCRIPTION:

- |   |  |  |
|---|--|--|
| <p><b>Sizes</b></p> <ul style="list-style-type: none"> <li>• Height: 27, 36, 42, and 45U</li> <li>• Width: 559 mm</li> <li>• Depth: 600 mm (base size)</li> </ul> <p><b>Construction</b></p> <ul style="list-style-type: none"> <li>• 2.0 mm sheet steel</li> </ul> | <p><b>Load rating</b></p> <ul style="list-style-type: none"> <li>• 200 kg – two-post frame</li> <li>• 400 kg – four-post frame</li> </ul> <p><b>IP rating</b></p> <ul style="list-style-type: none"> <li>• IP00 (no protection)</li> </ul> | <p><b>Colors</b></p> <ul style="list-style-type: none"> <li>• Standard RAL 9005</li> </ul> <p><b>Base</b></p> <ul style="list-style-type: none"> <li>• Composed of sheet steel</li> <li>• Equipped with feet</li> <li>• Optional castors (to be ordered separately)</li> </ul> |
|---|--|--|

# ACCESORIES FOR RS FRAMES

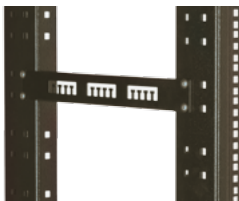
## CROSS-RAIL FOR FOUR-POST FRAMES



- Used for fixing four-post frame
- 2 mm sheet steel
- Color: powder-coated RAL (standard RAL 9005)
- Package includes: 2× cross rails, 12× screw M5×12

Code	Description	Package
RSSD-RAIL	Cross-rail for four-post frame	1 pair

## WIRE-MANAGEMENT PANEL FOR FOUR-POST FRAMES



- Store and secure cables between two pairs of 19" vertical extrusions (four-post frame)
- 1,5 mm sheet steel
- Color: powder-coated RAL (standard RAL 9005)
- Package includes: 1× wire management panel

Code	Description	Package
RSSD-VP	Wire management panel for four-post frame	1 piece

## STABILIZER FOR TWO-POST AND FOUR-POST FRAMES



- Increases sturdiness and stability of RS open frames
- Package includes: 1× left + 1× right stabilizer, 8× screws M5, 4× nuts M5

Code	Description	Package
RSSD-BRACE	Stabilizer for two and four-post frame	1 pair

[www.conteg.com](http://www.conteg.com)



**CONTEG, spol. s r.o.**

**Headquarters:**

Na Vítězské pláni 1719/4  
140 00 Prague 4  
Czech Republic  
Tel.: +420 261 219 182  
[conteg@conteg.com](mailto:conteg@conteg.com)  
[www.conteg.com](http://www.conteg.com)

**Production plant:**

K Silu 2179  
393 01 Pelhřimov  
Czech Republic  
Tel.: +420 565 300 300

**Local Branches/Offices:**

Austria/Germany/Switzerland:	+420 261 219 182
Benelux:	+31 76 5420 709
Southeastern Europe:	+49 172 8484 346
Finland:	+358 50 414 1257
France/Italy/Maghreb:	+33 1 60 04 55 90
Middle East:	+971 55 508 3241
Russia/CIS:	+7 495 967 3840
Saudi Arabia:	+966 54 000 2341

**CONTEG**