

CONTEG DATASHEET

FREE-STANDING RACKS

OPTIMAL Flex RMF

CONTEG, spol. s r.o.

Headquarters:

Na Vítězné pláni 1719/4
140 00 Prague 4
Czech Republic

Tel.: +420 261 219 182

Fax: +420 261 219 192

Production plant:

K Silu 2179
393 01 Pelhřimov
Czech Republic

Tel.: +420 565 300 300

Fax: +420 565 533 955

conteg@conteg.com

www.conteg.com

Local Branches/Offices

Austria:	+43 170 659 0115
Benelux:	+32 477 957 126
Eastern Europe / Nordics:	+49 172 8484 346
France / Italy / Maghreb:	+33 686 074 386
Germany / Switzerland:	+420 724 723 184
India:	+91 991 6950 773
Middle East:	+971 4445 2838
Russia / CIS:	+7 495 967 3840
Saudi Arabia:	+966 594 30 13 08
Ukraine:	+380 674 478 240

conteg@conteg.com

www.conteg.com

2.7 OPTIMAL Flex RMF

The OPTIMAL Flex RMF unassembled rack is designed to cope with the demanding needs of IT equipment within a data center, equipment room and network or telecommunications closet. RMF's flexible configuration options mean that it's easy to tailor the solution to your exact requirements. Various height, depth and width options, along with a load rating up of to 500 kg, air-flow optimization solutions and flexible cable management mean that it has never been easier to custom configure a cabinet that meets your requirements. The RMF rack is delivered unassembled for easy transportation to the site, where it can be quickly and easily assembled.

OPTIMAL



RMF-42-80/80

COLOR SAMPLER:

RAL 9005

RAL 7035

DESCRIPTION:

Sizes

- Height: 21, 33, 42, and 45U
- Width: 600 and 800 mm
- Depth: 600, 800, 1000 mm

Construction

- Robust frame design, connected by 32 M5x12 screws
- Delivered unassembled; assembly at installation site
- Easy and quick assembly
- 1.5 & 2.0 mm sheet steel

Load rating

- Standard 400 kg, with RMF-BRACE 500 kg

19" vertical extrusions

- 2 pairs of sliding 19" extrusions, adjustable from inside

IP rating

- Standard IP30
- IP20 when perforated doors used

Colors

- Standard RAL 7035, RAL 9005
- Optionally other colors

Front door

- Door with swivel handle lock and tinted security glass
- Wide range of doors and locks available
- Reversible door – easy re-hanging to open on right or left (at installation site)
- Door opening angle 180°

Rear panel

- Removable rear panel with lock
- Wide range of rear doors available

Side panels

- Removable with locks

Cable entries

- Top, bottom, and rear openings for cable entry covered with removable blank panels

Ventilation unit openings

- Ventilation unit can be installed in top or bottom frame

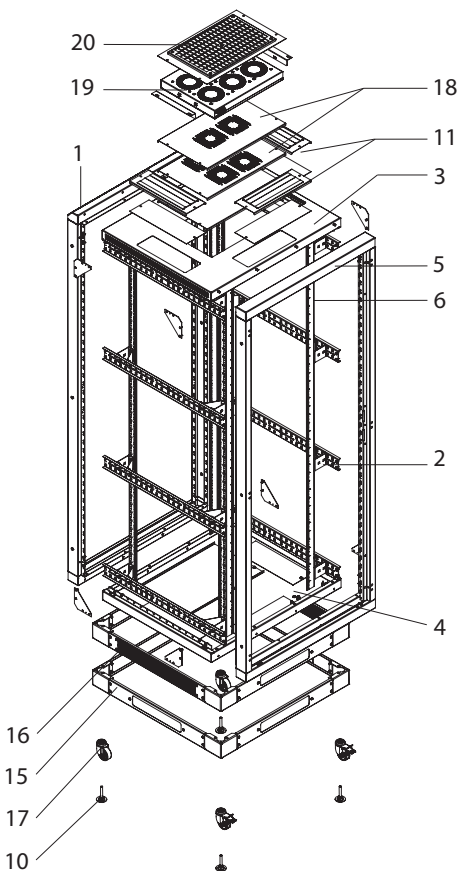
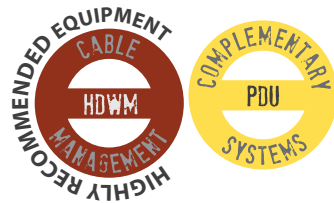
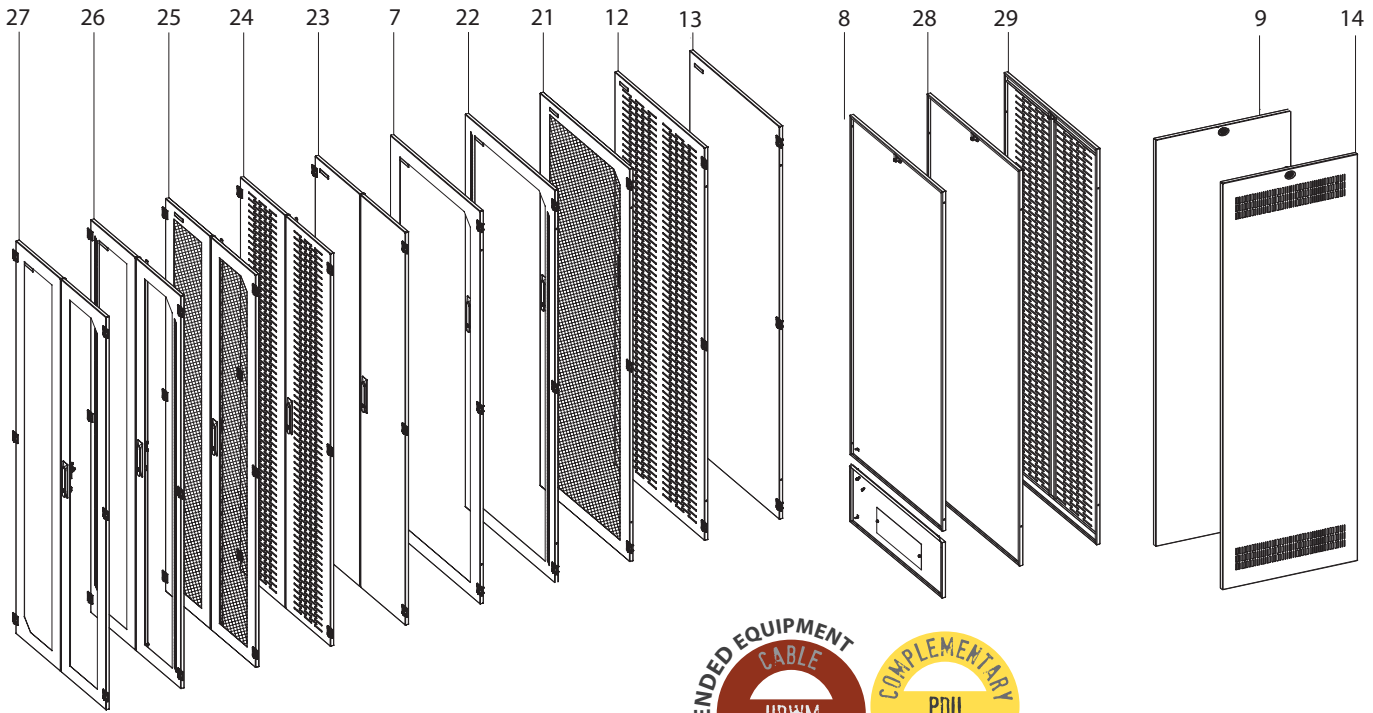
Feet

- Adjustable feet as standard;
- Castors, lockable castors, plinth or plinth with filter options

Other

- Racks can be installed in blocks by using DP-DR-UNI (ordered separately)
- GND/earthing kit included





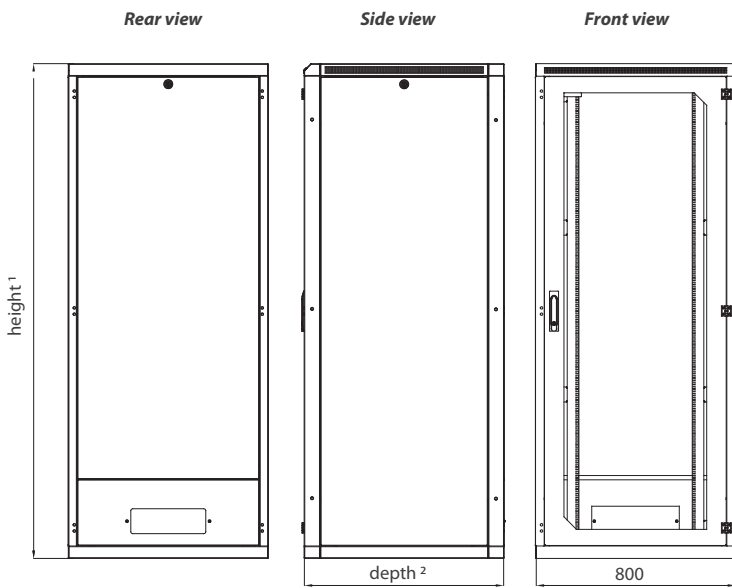
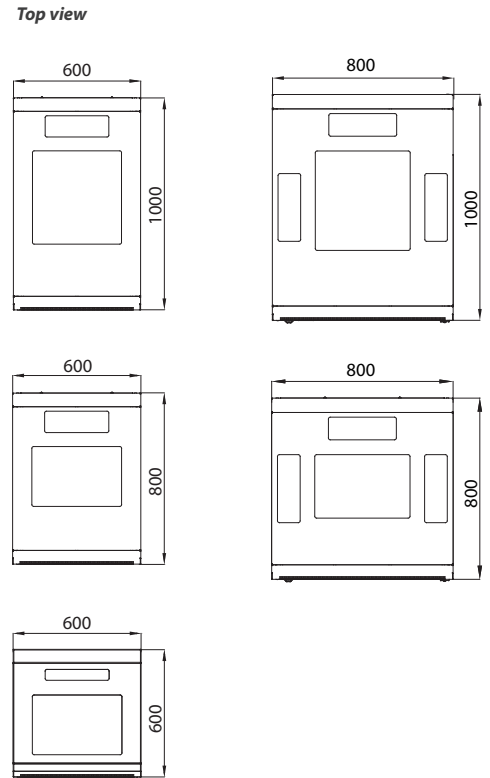
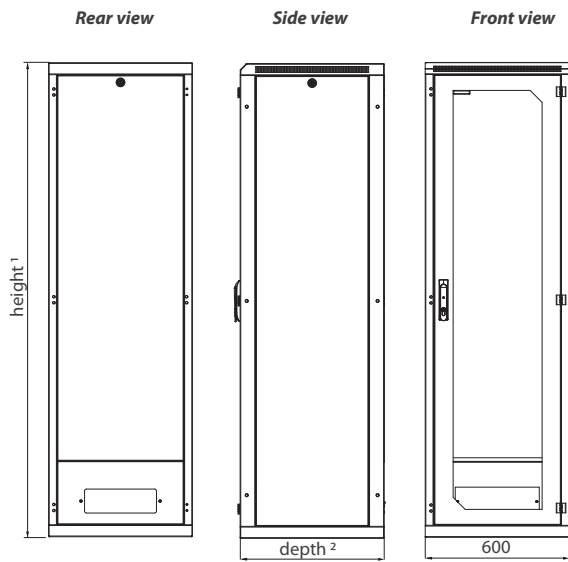
STANDARD EQUIPMENT

- 1 Front frame
- 2 Rear frame
- 3 Top cover
- 4 Bottom cover
- 5 Holders for vertical extrusions
- 6 2 pairs of 19" vertical extrusions
- 7 Front glass door with swivel handle lock
- 8 Divided rear panel with cable entry and lock
- 9 1 pair of side panels with lock
- 10 Adjustable feet
- 11 Blank panels for top and bottom openings
- GND/earthing kit
- 28 mounting kits

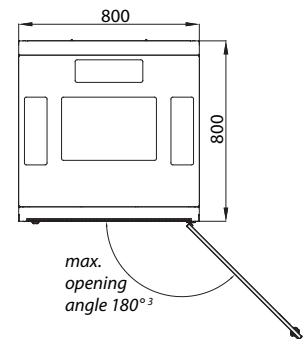
OPTIONAL EQUIPMENT

- 12 Door with perforation
- 13 Sheet steel door
- 14 Side panels with perforation
- 15 Plinth
- 16 Plinth with filter
- 17 Castors
- 18 Perforated gland plate
- 19 Ventilation unit
- 20 Connecting kit with filter for ventilation unit
- 21 Vented door
- 22 Glass door with side perforation
- 23 Vertically divided sheet steel door ²
- 24 Vertically divided perforated sheet steel door ²
- 25 Vertically divided vented door 83% ²
- 26 Vertically divided glass door with perforation ^{1,2}
- 27 Vertically divided glass door ^{1,2}
- 28 Rear panel (single piece)
- 29 Perforated rear panel (single piece)

¹ not available for 600 mm wide racks
² requires multipoint lock



Example of opened-door angle



¹ for available heights please see page 53, table 1

² for available depths please see page 54, step 3 - table 2

³ when rear doors applied (rear panel as standard) the max. angle is 180°

Ventilation unit openings

800 mm deep racks – 420×280 mm
 1000 mm deep racks – 420×440 mm

Cable entries

600 mm deep racks – 300×50 mm
 800, 1000 mm deep racks – 300×100 mm

Note: All dimensions in mm



ORDERING AND SHIPPING INFORMATION: Configure the rack that will meet your requirements. The ordering matrix below will help you to create the part number. As soon as you have the part number, please contact your Conteg products distributor. Please note that all **RMF RACKS ARE DELIVERED UNASSEMBLED** in carton boxes!

FOLLOW THE STEPS TO SET UP THE DESIRED RMF RACK PRODUCT CODE!

QUICK WAY TO STANDARD CONFIGURATION OF RMF RACKS!

You should choose this quick part number look-up table if you are interested in the RMF rack's standard configuration. More information regarding standard configuration can be found in the appropriate table. To order, you only need to tell us the code (i.e. RMF-21-60/60). Please note that the rack is delivered unassembled!

Types:

RMF – 21, 33, 42, 45 – 60/60

RMF – 21, 33, 42, 45 – 60/80

RMF – 42, 45 – 60/100

RMF – 21, 33, 42, 45 – 80/80

RMF – 42, 45 – 80/100

xx – rack width, yy – rack depth, zz – rack height

** One pack is needed for racks 21U and 33U. Two packs are needed for racks 42U and 45U.*

Code	Dimensions including packing in mm				
	Box 1 RMF-FF-zz/xx	Box 2 RMF-RF-zz/xx	Box 3 RMF-SP-zz/yy	Box 4 RMF-TB-zz/yy	Box 5 RMF-HVE-xx/yy*
RMF-21-60/60	630x1100x130	630x1100x130	520x990x85	650x535x160	70x35x565
RMF-33-60/60	630x1630x130	630x1630x130	520x1520x85	650x535x160	70x35x565
RMF-42-60/60	630x2030x130	630x2030x130	520x1920x85	650x535x160	70x35x565
RMF-45-60/60	630x2166x130	630x2166x130	520x2055x85	650x535x160	70x35x565
RMF-21-60/80	630x1100x130	630x1100x130	720x990x85	650x735x160	70x35x765
RMF-33-60/80	630x1630x130	630x1630x130	720x1520x85	650x735x160	70x35x765
RMF-42-60/80	630x2030x130	630x2030x130	720x1920x85	650x735x160	70x35x765
RMF-45-60/80	630x2166x130	630x2166x130	720x2055x85	650x735x160	70x35x765
RMF-45-60/100	630x2030x130	630x2030x130	920x1920x85	650x935x160	70x35x965
RMF-45-60/100	630x2166x130	630x2166x130	920x2055x85	650x935x160	70x35x965
RMF-21-80/80	830x1100x130	830x1100x130	720x990x85	850x735x160	145x105x810
RMF-33-80/80	830x1630x130	830x1630x130	720x1520x85	850x735x160	145x105x810
RMF-42-80/80	830x2030x130	830x2030x130	720x1920x85	850x735x160	145x105x810
RMF-45-80/80	830x2166x130	830x2166x130	720x2055x85	850x735x160	145x105x810
RMF-42-80/100	830x2030x130	830x2030x130	920x1920x85	850x935x160	145x105x1010
RMF-45-80/100	830x2166x130	830x2166x130	920x2055x85	850x935x160	145x105x1010

Standard configuration: front frame, rear frame, top cover, bottom cover, holders for vertical extrusions, 2 pairs of 19" vertical extrusions, front glass door with standard swivel handle universal key, 1 pair of side panels with lock, adjustable feet, divided rear panel with cable entry, blank panel for top and bottom openings.

Code	Hn in U	Dimensions in mm				Gross weight in kg
		H*	W	D	Useful depth	
RMF-21-60/60	21	1045	600	600	590	65
RMF-33-60/60	33	1578	600	600	590	87
RMF-42-60/60	42	1978	600	600	590	106
RMF-45-60/60	45	2111	600	600	590	111
RMF-21-60/80	21	1045	600	800	790	74
RMF-33-60/80	33	1578	600	800	790	97
RMF-42-60/80	42	1978	600	800	790	118
RMF-45-60/80	45	2111	600	800	790	123
RMF-42-60/100	42	1978	600	1000	990	118
RMF-45-60/100	45	2111	600	1000	990	127
RMF-21-80/80	21	1045	800	800	790	91
RMF-33-80/80	33	1578	800	800	790	118
RMF-42-80/80	42	1978	800	800	790	140
RMF-45-80/80	45	2111	800	800	790	145
RMF-42-80/100	42	1978	800	1000	990	157
RMF-45-80/100	45	2111	800	1000	990	165

* Height in mm without feet; for feet add 16-45 mm

SET UP THE RMF RACK'S PRODUCT CODE STEP BY STEP!

Step-by-step configuration allows you to choose from various options and configure the rack to meet your exact requirements. This is recommended, when the standard configuration does not meet your requirements.

RMF – DELIVERED UNASSEMBLED ONLY	
Code of box	Box contains
RMF-FF-zz/xx	Front frame and panel for RMF-zz-xx/yy, 2 pairs of 19" vertical extrusions, mounting kit, feet
RMF-RF-zz/xx	Rear frame and panel for RMF-zz-xx/yy
RMF-SP-zz/yy	2 pieces of side panels for RMF-zz-xx/yy
RMF-TB-xx/yy	Top and bottom covers of RMF-zz-xx/yy
RMF-HVE-xx/yy *	Holders for vertical extrusions for yy racks; 1 box contains 2 pairs of holders

xx – rack width, yy – rack depth, zz – rack height

** One pack is needed for racks 21U and 33U. Two packs are needed for racks 42U and 45U.*

STEP 1: FRONT FRAME CONFIGURATION

HEIGHT			WIDTH	
Code	Height in U	External height in mm	Code	Width in mm
21	21	1045	60	600
33	33	1578	80	800
42	42	1978		
45	45	2111		

COLOR	
Code	Note
B	RAL 7035 (light gray)
H	RAL 9005 (black)

FRONT DOOR	
Code	Options
0	Without door ¹
G	Glass door
S	Sheet steel door
P	Perforated sheet steel door ²
T	Glass door with side perforation ³
W	Vented door (perforation rate 83%) ⁵
A	Vertically divided glass door ^{4*}
B	Vertically divided glass door with side perforation ^{6*}
C	Vertically divided sheet steel door ⁴
D	Vertically divided perforated sheet steel door ⁵
F	Vertically divided vented door (perforation rate 83%) ⁵
	Other

¹ no IP protection

² IP20 max.

³ IP30 max.

⁴ multipoint lock only

⁵ multipoint lock only, IP20 max.

⁶ multipoint lock only, IP30 max.

* racks 800 mm wide only

FRONT DOOR LOCK	
Code	Options
E	Swivel handle with combination lock and universal key
F	Swivel handle with combination lock and universal key, multipoint
G	Swivel handle with combination lock, keyed different
H	Swivel handle with combination lock, keyed different, multipoint
I	Swivel handle with profile half cylinder, universal key
J	Swivel handle with profile half cylinder, universal key, multipoint
K	Swivel handle with profile half cylinder, keyed different
L	Swivel handle with profile half cylinder, keyed different, multipoint
V	Swivel handle DIN profile, universal key 333
W	Swivel handle DIN profile, universal key 333, multipoint

An example of a correct product code

STEP 1: RMF-FF-42/80-WW-B



STEP 2: REAR FRAME CONFIGURATION

R
M
F
-
RF
-
1.
/
2.
-
3.
4.
-
5.

HEIGHT		
Code	Height in U	External height in mm
21	21	1045
33	33	1578
42	42	1978
45	45	2111

WIDTH	
Code	Width in mm
60	600
80	800

COLOR	
Code	Note
B	RAL 7035 (light gray)
H	RAL 9005 (black)
E	RAL 7035/7040

REAR PANEL / DOOR OPTIONS	
Code	Options
0	Without door ¹
G	Glass door
S	Sheet steel door
P	Perforated sheet steel door ²
T	Glass door with side perforation ³
W	Vented door (perforation rate 83%) ⁵
A	Vertically divided glass door ^{4 *}
B	Vertically divided glass door with side perforation ^{6 *}
C	Vertically divided sheet steel door ⁴
D	Vertically divided perforated sheet steel door ⁵
F	Vertically divided vented door (perforation rate 83%) ⁵
Y	Rear panel, single piece (no cable entry)
R	Rear panel, divided, with cable entry
Z	Perforated rear panel, single (no cable entry)

¹ no IP protection ⁶ multipoint lock only, IP30 max.
² IP20 max. ⁷ Lock code U or X only
³ IP30 max. ⁸ Lock code U or X only; IP20 max.
⁴ multipoint lock only * racks 800 mm wide only
⁵ multipoint lock only, IP20 max.

REAR PANEL / DOOR LOCK	
Code	Options
E	Swivel handle with combination lock and universal key
F	Swivel handle with combination lock and universal key, multipoint
G	Swivel handle with combination lock, keyed different
H	Swivel handle with combination lock, keyed different, multipoint
I	Swivel handle with profile half cylinder, universal key
J	Swivel handle with profile half cylinder, universal key, multipoint
K	Swivel handle with profile half cylinder, keyed different
L	Swivel handle with profile half cylinder, keyed different, multipoint
V	Swivel handle DIN profile, universal key 333
W	Swivel handle DIN profile, universal key 333, multipoint
U	Lock for rear panel, universal key
X	Lock for rear panel, keyed different

An example of a correct product code
STEP 2: RMF-RF-42/80-RU-B

STEP 3: SIDE PANEL CONFIGURATION

R
M
F
-
SP
-
1.
/
2.
-
3.
4.

HEIGHT		
Code	Height in U	External height in mm
21	21	1045
33	33	1578
42	42	1978
45	45	2111

DEPTH		
Code	Depth in mm	Useful depth in mm
60	600	590
80	800	790
100	1000	990

SIDE PANEL WITH LOCKS (BOTH SIDES)	
Code	Options
C	2 side panels, sheet steel, keyed different
E	2 side panels, sheet steel with perforation, universal key
G	2 side panels, sheet steel with perforation, keyed different

COLOR	
Code	Note
B	RAL 7035 (light gray)
H	RAL 9005 (black)

An example of a correct product code
STEP 3: RMF-SP-42/100-C-B

STEP 4: COVER CONFIGURATION

R M F - TB - 1. / 2. - 3.

WIDTH	
Code	Width in mm
60	600
80	800

DEPTH		
Code	Depth in mm	Useful depth in mm
60	600	590
80	800	790
100	1000	990

COLOR	
Code	Explanation
B	RAL 7035 (light gray)
H	RAL 9005 (black)

An example of a correct product code
STEP 4: RMF-TB-80/100-B

STEP 5: ORDER RMF-BRACE Requested for 500 kg load rating.

All types of vented doors require multi-point lock. RMF racks are compatible with side cooling. Please use RHF/RDF/RSF/ROF racks for top-mount or wall-mount cooling unit.